

Specifications

HC Series

Model	HC-3KA	HC-6KA	HC-12KA	HC-3KB	HC-6KB	HC-12KB
Capacity/Resolution (kg)	3kg x 0.5g	6kg x 1g	12kg x 2g	3kg x 0.5g	6kg x 1g	12kg x 2g
Capacity/Resolution (lb)	6 x 0.001	12 x 0.002	30 x 0.005	6 x 0.001	12 x 0.002	30 x 0.005
Internal Resolution	1/120000					
Min. Unit Weight (g)*	0.1/0.025	0.2/0.05	0.4/0.1	0.1/0.025	0.2/0.05	0.4/0.1
Calibration Mass (kg)	3	6	12	3	6	12
Calibration Mass (lb)	6	12	30	6	12	30
Sample Size	5,10,25,50 or 100			5, 10, 25, 50, 100 or random numbers user selectable		
Max. Count (pieces)	30000/120000pcs					
Linearity	±0.5g	±1g	±2g	±0.5g	±1g	±2g
Display	Liquid Crystal Display, 17mm/0.67inches height					
Sensitivity Drift	20ppm/°C (5°C~35°C)					
Operating Temperature	-10°C~40°C / 14°F~104°F					
Weight	Approximately 3kg / 6.6 lb					
Power	AC Adaptor, six AM2 (C type) 1.5V dry batteries or optional rechargeable NiCd battery pack (AD-1681)					
Battery Life	Approximately 100 hours with manganese type cells, 200 hours with alkaline type cells, 20 hours with rechargeable battery pack(AD-1681)					
Pan Size	216(W) x 294(D) mm/8.50(W) x 11.57(D) inches					
Physical Dimensions	320(W) x 330(D) x 118(H) mm/12.60(W) x 12.99(D) x 4.65(H) inches					
Standard Accessories	Manual, AC adaptor					

*Minimum weighing resolution can be selected from 1/30000 mode or 1/120000 mode.

HD Series

Model	HD-12KA	HD-30KA	HD-60KA	HD-12KB	HD-30KB	HD-60KB
Capacity/Resolution (kg)	12kg x 2g	30kg x 5g	60kg x 10g	12kg x 2g	30kg x 5g	60kg x 10g
Capacity/Resolution (lb)	30 x 0.005	60 x 0.01	120 x 0.02	30 x 0.005	60 x 0.01	120 x 0.02
Internal Resolution	1/120000					
Min. Unit Weight (g)*	0.4/0.1	1/0.25	2/0.5	0.4/0.1	1/0.25	2/0.5
Calibration Mass (kg)	12	30	60	12	30	60
Calibration Mass (lb)	30	60	120	30	60	120
Sample Size	5,10,25,50 or 100			5, 10, 25, 50, 100 or random numbers user selectable		
Max. Count (pieces)	30000/120000pcs					
Linearity	±2g	±5g	±10g	±2g	±5g	±10g
Display	Liquid Crystal Display, 17mm/0.67inches height					
Sensitivity Drift	20ppm/°C (5°C~35°C)					
Operating Temperature	-10°C~40°C / 14°F~104°F					
Weight	Approximately 9kg / 19.8 lb					
Power	AC Adaptor, six AM2 (C type) 1.5V dry batteries or optional rechargeable NiCd battery pack (AD-1681)					
Battery Life	Approximately 100 hours with manganese type cells, 200 hours with alkaline type cells, 20 hours with rechargeable battery pack(AD-1681)					
Pan Size	300(W) x 380(D) mm/11.81(W) x 14.96(D) inches					
Physical Dimensions	411(W) x 470(D) x 120(H) mm/16.18(W) x 18.50(D) x 4.72(H) inches					
Standard Accessories	Manual, AC adaptor					

*Minimum weighing resolution can be selected from 1/30000 mode or 1/120000 mode.

Specifications subject to change for improvement without notice.

Options for HC Series

- OP-03 — Serial Interface (RS-232C)
 - OP-04 — Comparator/Relay Output
 - OP-05 — Serial Interface (Current Loop)
- Only one option can be selected from OP-03, OP-04 and OP-05.

Accessories

- AD-1681 — Rechargeable Battery Pack
- AD-8118B — Universal Printer
- AD-8121 — Multi-function Printer
- AD-8524B — Keyboard Adapter (for IBM PCs)

Options for HD Series

- OP-03 — Serial Interface (RS-232C)
 - OP-04 — Comparator/Relay Output
 - OP-05 — Serial Interface (Current Loop)
 - OP-06 — Carrying Handle
- Only one option can be selected from OP-03, OP-04 and OP-05.

AND ...Clearly a Better Value

A&D Company, Limited
3-23-14 Higashi-Ikebukuro, Toshima-ku, Tokyo 170-0013 JAPAN
Telephone: [81] (3) 5391-6132 Fax: [81] (3) 5391-6148
http://www.aandd.co.jp

A&D ENGINEERING, INC.
1555, McCandless Drive, Milpitas, CA. 95035 U.S.A.
Telephone: [1] (408) 263-5333 Fax: [1] (408) 263-0119

A&D MERCURY PTY. LTD.
32 Dew Street, Thebarton, South Australia 5031 AUSTRALIA
Telephone: [61] (8) 8352-3033 Fax: [61] (8) 8352-7409

A&D INSTRUMENTS LTD.
Unit 24/26 Blacklands Way Abingdon Business Park,
Abingdon, Oxon OX14 1DY United Kingdom
Telephone: [44] (1235) 550420 Fax: [44] (1235) 550485

<German Sales Office>
Bernier Straße 64, D-60437 Frankfurt/Main 50 GERMANY
Telephone: [49] (69) 507 1017 Fax: [49] (69) 507-2054

A&D KOREA Limited
Manhattan Bldg. 8F, 36-2 Yoido-dong, Youngdeungpo-gu, Seoul, KOREA
Telephone: [82] (2) 780-4101 Fax: [82] (2) 782-4280

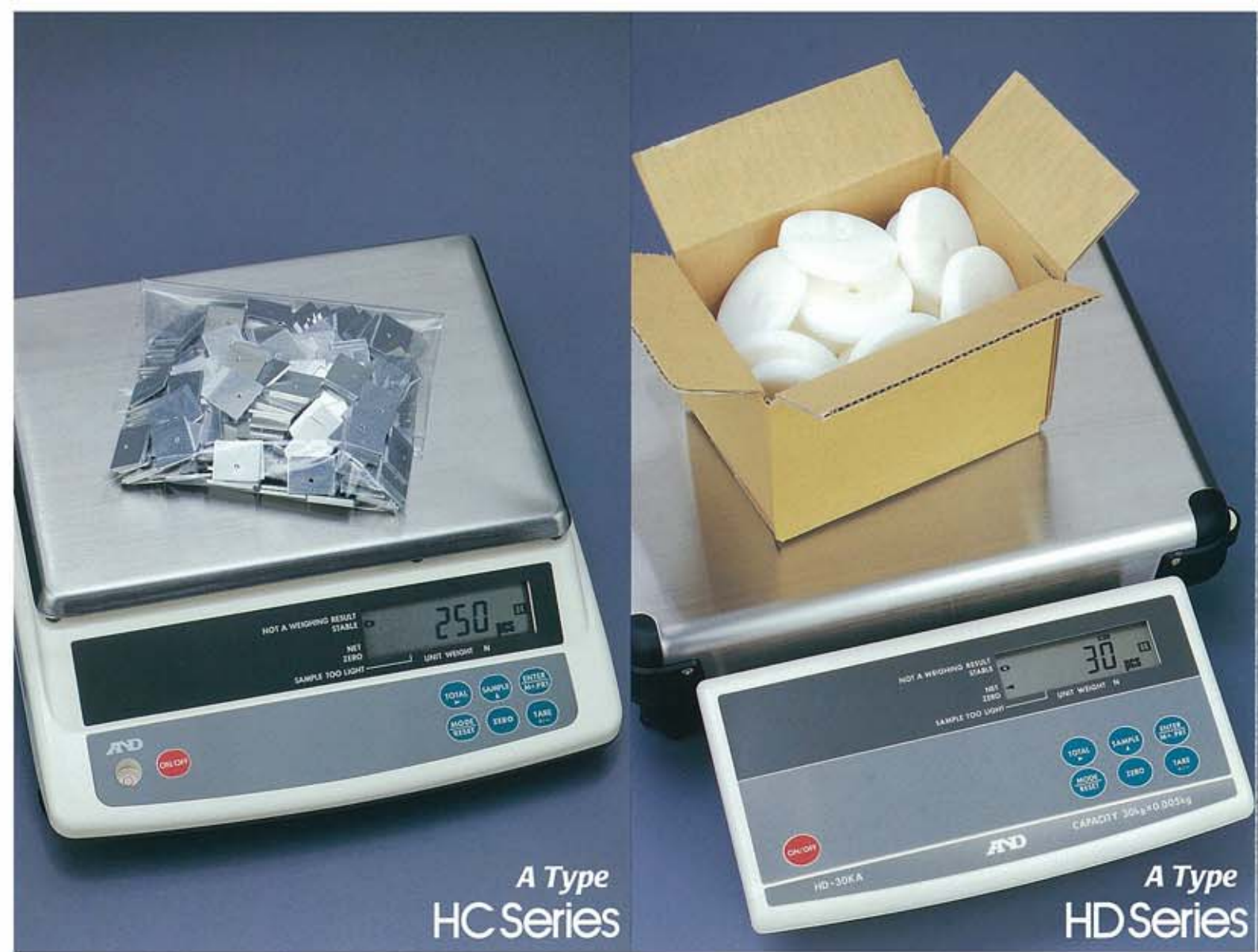
* ADC-HC/HD-010803-05K05

HC/HD Series

Counting Scales



AND ...Clearly a Better Value
A&D Company, Limited



A Type
HC Series

A Type
HD Series

High performance, Affordable, Great features

Features

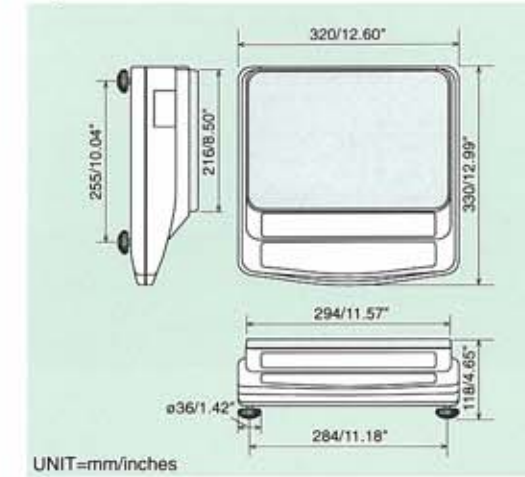
- Designed for cost conscious users
- High quality, full featured counting scales
- Choice of simple operation (A version) or 10-key pad models for direct entry of tare weight, piece weight and sample size (B version)
- Automatic Counting Accuracy Improvement (ACAI) feature for excellent counting accuracy
- Comparator function for use in packaging operations. Results on display, buzzer or optional relay output
- 12 models in 5 capacities and A/B versions
- M+ totaling for running totals
- 3 power sources-AC, dry cell battery for standard operation, or optional rechargeable battery (AD-1681). Battery power is particularly useful in portable operations and areas with no power or power blackouts
- Automatic power off to conserve battery life
- Large easy to read wide angle LCD displays
- Intuitive operation for ease of use and reduced training time
- Disables all key functions except (ON/OFF)(ZERO)(TARE)(SAMPLE) (ENTER/M+/PRT) for error free use

HC Series

The HC series is designed for the cost conscious user. It is compact and portable. Its low profile speeds operation and saves space.

B Type

Physical Dimensions



UNIT=mm/inches



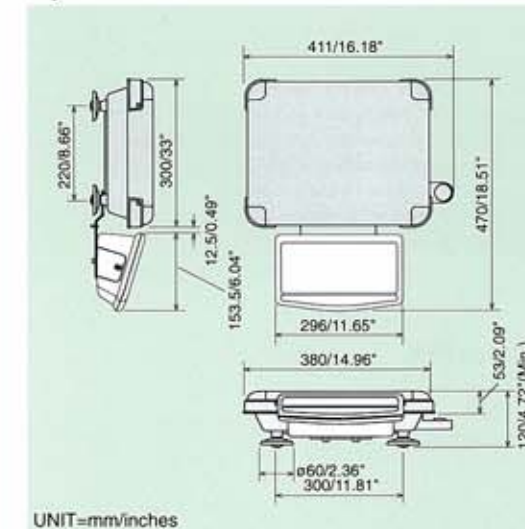
- **HC-3KA/3KB**
3kg x 0.5g / 6 lb x 0.001 lb
- **HC-6KA/6KB**
6kg x 1g / 12 lb x 0.002 lb
- **HC-12KA/12KB**
12kg x 2g / 30 lb x 0.005 lb

HD Series

The HD series has a detachable display head and large weighing pan for use with over sized containers. It allows flexible reading and convenient operations.

B Type

Physical Dimensions



UNIT=mm/inches



- **HD-12KA/12KB**
12kg x 2g / 30 lb x 0.005 lb
- **HD-30KA/30KB**
30kg x 5g / 60 lb x 0.01 lb
- **HD-60KA/60KB**
60kg x 10g / 120 lb x 0.02 lb

Option

- OP-06 Carrying Handle (HD only)



Accessories

- AD-1681 Rechargeable Battery



- AD-8121 Multi-function Printer

